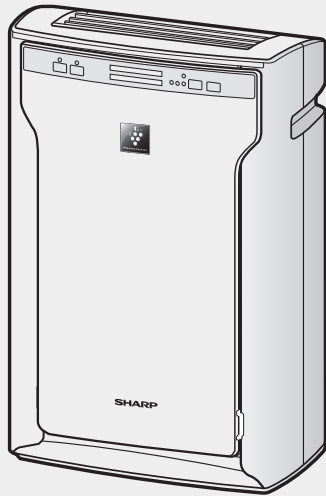
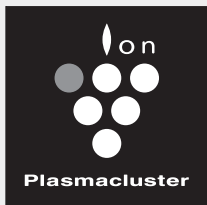


SHARP®

FU-A80J



Free standing type



Device of this mark is a trademark of Sharp Corporation.
Plasmacluster is a registered trademark or a trademark
of Sharp Corporation.

AIR PURIFIER OPERATION MANUAL

ENGLISH

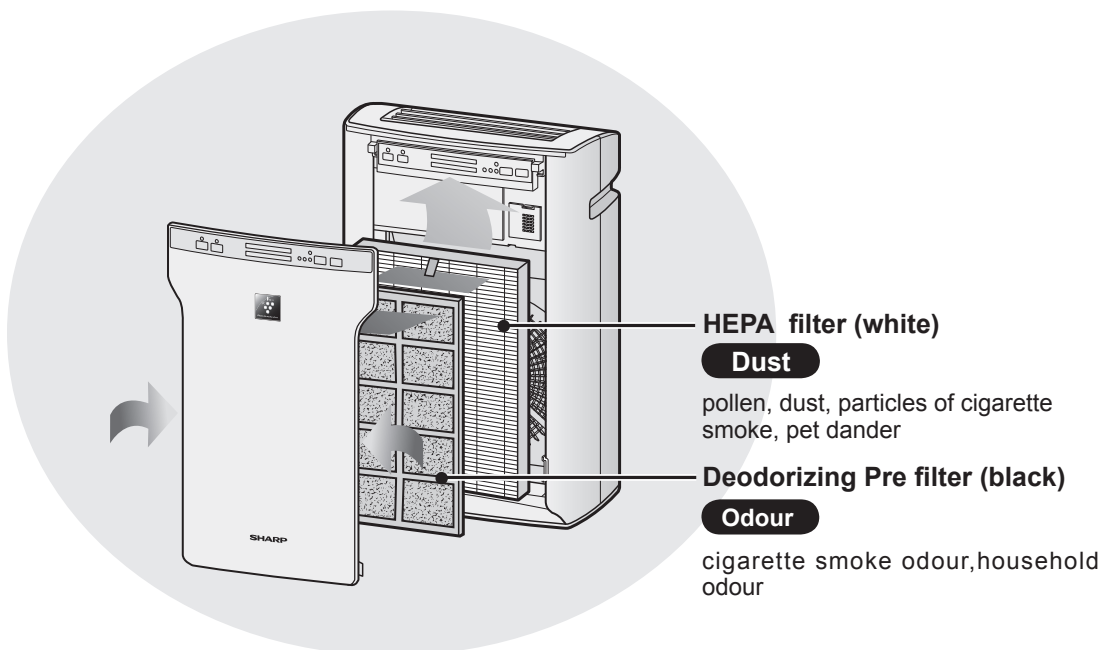
Please read before operating your new Air Purifier

Some odour ingredients absorbed by the filters may become separated and may be discharged through the air outlet and result in additional odour. Depending on the usage environment, especially when the product is used in a condition significantly more severe than household use, this odour may become strong in a shorter period than expected.

The air purifier is designed to remove air-suspended dust and odour, but not harmful gases (for example, carbon monoxide contained in cigarette smoke). If the odour sources still exist, it cannot completely remove the odour (for example, odours from construction materials and pet odours).

It is suggested to open the window a bit when you are smoking in order to facilitate ventilation.

In this case we recommend purchasing the optional replacement filter.



FEATURES

**Exclusive Combination of Air Treatment Technologies
Filtration System + Plasmacluster Ion**

DECREASES ODOURS

Deodorizing Pre filter absorbs many common household odours.

REDUCES DUST, POLLEN, DANDER & MOULD*

HEPA filter traps 99.97% of particles as small as 0.3 microns.*

REFRESHES

Plasmacluster refreshes the air similar to the way nature cleans the environment by emitting a balance of positive and negative ions.

*From the air that is drawn through the filter system.

Room size : 62m²

CONTENTS

| | |
|-----------------------------------|------|
| IMPORTANT SAFETY INSTRUCTIONS ... | E-2 |
| PART NAMES..... | E-4 |
| FILTER INSTALLATION | E-6 |
| OPERATION | E-7 |
| MAINTENANCE | E-8 |
| TROUBLESHOOTING | E-10 |
| FOR CUSTOMER ASSISTANCE | E-11 |
| SPECIFICATIONS..... | E-13 |

Thank you for purchasing the SHARP Air Purifier. Please read this manual carefully. Before using this product, be sure to read the section: "Important Safety Instructions." After reading this manual, keep it in a convenient location for future reference.

IMPORTANT SAFETY INSTRUCTIONS

Read all instructions before using the unit.

When using electrical appliances, basic safety precautions should be followed, including the following:

WARNING - To reduce the risk of electrical shock, fire or injury to persons:

- Connect the power plug to a dedicated electrical outlet for 230-240V ~ 50Hz.
- Do not use the unit if the power cord or plug is damaged or the connection to the wall outlet is loosened.
- Periodically remove dust from the power plug.
- Do not use an extension cord.
- Do not insert fingers or any objects into the air inlet or air outlet.
- Do not unplug by pulling on cord. To unplug, grasp the plug.
- Do not handle plug or unit with wet hands.
- Unplug the electrical cord before performing any maintenance.
- Do not use the unit if the cord has been damaged. Please contact the nearest Service Center.
- If the power cord is damaged, it must be replaced by the manufacturer, its service agent, a Sharp authorized Service Centre or similarly qualified person in order to avoid a hazard.
- Do not use near flammable gases and material such as insecticides, fragrances, and lit cigarettes.
- Do not use in humid place such as bathrooms.
- Contact the nearest Sharp Approved Service Centre for any problems, adjustments, or repairs.
- This appliance is not intended for use by persons (including children) with reduced physical, sensory or mental capabilities, or lack of experience and knowledge, unless they have been given supervision or instruction concerning use of the appliance by a person responsible for their safety.
Children should be supervised to ensure they do not play with the appliance.

NOTE - Radio or TV Interference

If this air purifier should cause interference to radio or television reception, try to correct the interference by one or more of the following measures:

- Reorient or relocate the receiving antenna.
- Increase the separation between the unit and radio/TV receiver.
- Connect the equipment into an outlet on a circuit different from that to which the receiver is connected.
- Contact the dealer or an experienced radio/TV technician for help.

CAUTIONS CONCERNING OPERATION

- Do not block any opening.
- Do not use the unit near or on hot objects, such as stoves or heaters or radiators.
- Do not use the unit with the wrong position.
- Always hold the handle on both sides of the unit when moving it.

Holding the front panel when carrying may cause it to detach, thus dropping the unit and resulting in bodily injury.

- Do not use without filters inside the unit.
- Do not wash and reuse the filter.
Not only does it not improve filter performance, but also may cause electrical shock or malfunction.
- Clean the exterior with a soft cloth only.

Do not use corrosive cleansers, volatile fluids and/or detergents when cleaning the unit.
The unit surface may be damaged or cracked.

In addition, the sensor may malfunction as a result.

INSTALLATION GUIDELINES

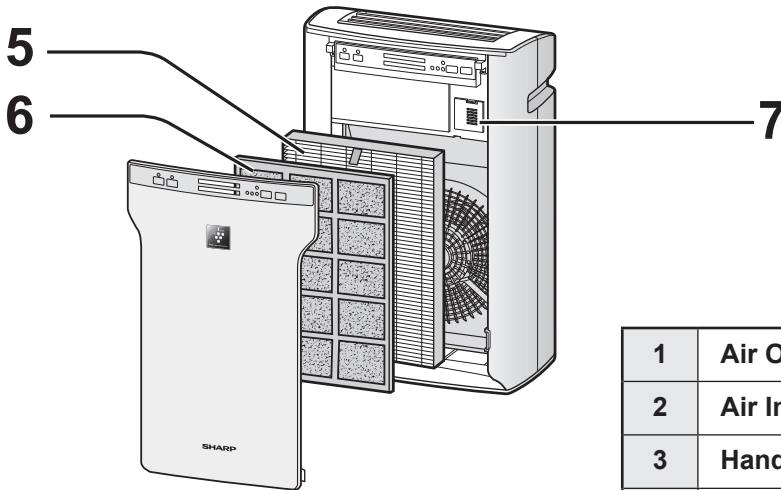
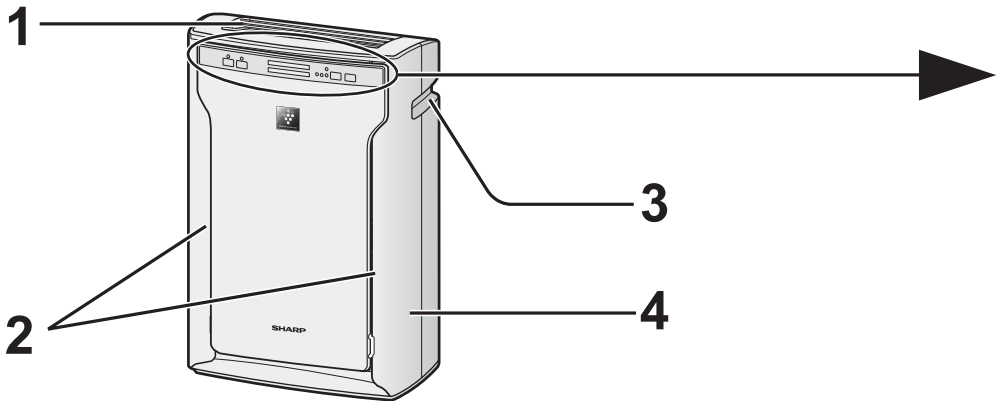
- Avoid locations where curtains, etc., come into contact with any opening.
It may become dirty or a malfunction may occur.
- Avoid locations where the unit is exposed to condensation, due to rapid temperature changes.
(If it is unavoidable please allow unit to stand for 1 hour before switching on.)
(Use under appropriate conditions between 0 - 35°C room temperature.)
- Place on a stable surface with sufficient air circulation.
When placing the unit on a heavily carpeted area, it may cause the unit to vibrate slightly.
- Avoid use in locations where greasy or oily smoke is generated (such as in a kitchen, etc.).
The unit surface may crack or the sensor may malfunction as a result.

FILTER GUIDELINES

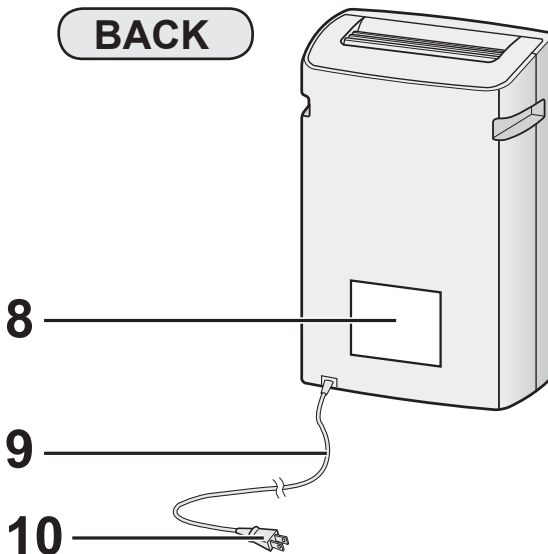
- Follow the instructions to handle carefully and keep maintenance.
Do not install any other type of filters.

PART NAMES

ILLUSTRATIVE DIAGRAM



BACK

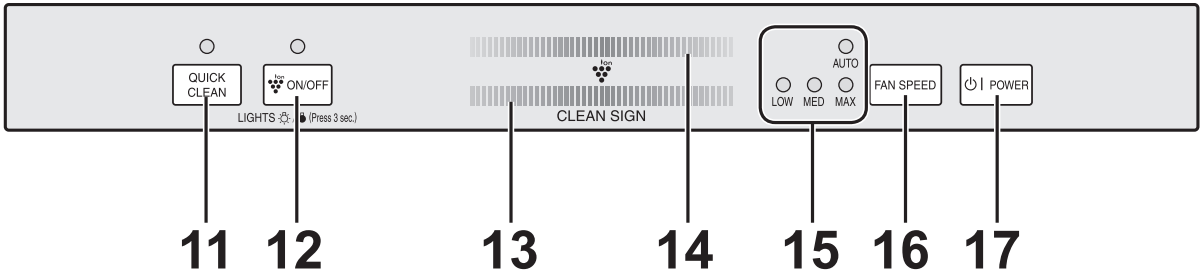


| | |
|----|------------------------|
| 1 | Air Outlet |
| 2 | Air Inlet |
| 3 | Handle |
| 4 | Main Unit |
| 5 | HEPA Filter |
| 6 | Deodorizing Pre Filter |
| 7 | Dust Sensor |
| 8 | Date Label |
| 9 | Power Cord |
| 10 | Plug |

INCLUDED

- Operation manual

MAIN UNIT DISPLAY



ENGLISH

| | |
|----|-----------------------------------------------------------------------------------------------------------------------------------------------------------------------------------------------------------------------------------------------------------------|
| 11 | QUICK CLEAN Button / Quick Clean Indicator Light (green) |
| 12 | (Plasmacluster) ON / OFF Button / (Plasmacluster) ON / OFF Indicator Light (green) |
| 13 | CLEAN SIGN The color changes according to the air condition. <div style="border: 1px solid gray; padding: 5px; margin: 10px 0;"> Green — Yellow — Red Clean ←————→ Very Impure </div> |
| 14 | (Plasmacluster) Sign (blue) |
| 15 | FAN SPEED Indicator Light (green) |
| 16 | FAN SPEED Button |
| 17 | POWER Button |

FILTER INSTALLATION

Unplug the electrical cord before performing any maintenance.

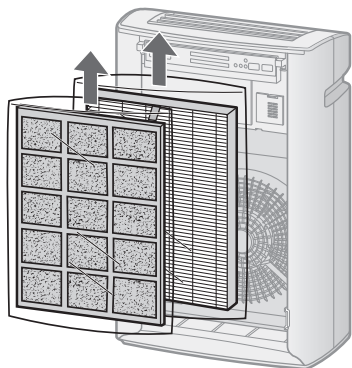
To maintain the quality of the filters, they are installed in the main unit and packed in plastic bags. Be sure to remove the filters from the plastic bags before using the unit.

1 Remove the front Panel.

Gently grip the bottom of the front panel and remove it by pulling the bottom gently toward you.

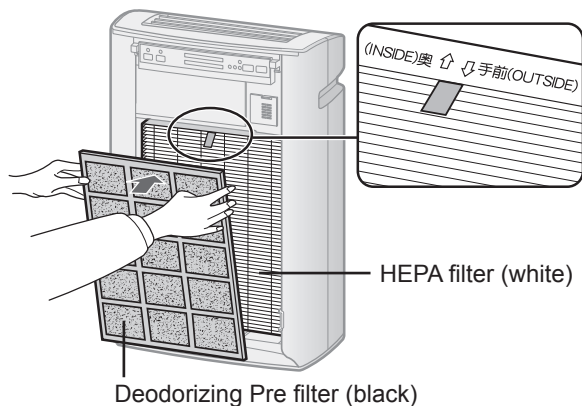


2 Remove the plastic bags.



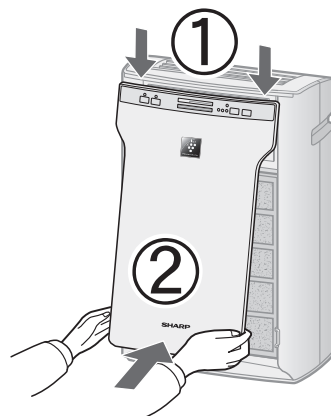
3 Place the filters accordingly.

Keep the order of filters.

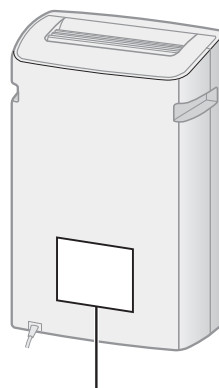


4 Fix the Front Panel.

Fix the Front Panel by hooking it into the top of the unit. Swing panel in by pushing gently until the panel snaps into place.



5 Record the date when you start or replace the filters.



| Replacement Filters | |
|--------------------------------------|------------------|
| Starting date of use | |
| Model | FZ-A80SFE |
| HEPA Filter & Deodorizing Pre Filter | |
| | |
| | |
| | |
| | |
| | |
| | |
| | |
| | |

Replace the filters when they are no longer removing odour or dust.

OPERATION



1 Press **POWER** to start / stop.

Unless the power cord has been unplugged, the operation starts in the previous mode it was operated in.

2 Press **FAN SPEED** to select fan speed.

FP-A80U



AUTO mode

*The air purifier operates the airflow speed automatically according to the interior pollution level detected by the sensor.

FP-A60U



3 Press **ON/OFF** to turn Plasmacluster Ion Mode ON and OFF.

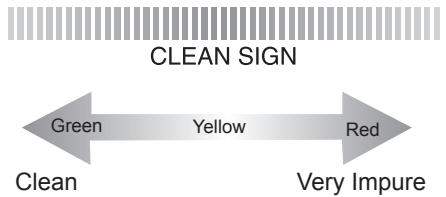
QUICK CLEAN Operation

Press **QUICK CLEAN** to start Quick Clean Mode.

The unit will operate at HIGH fan speed for 15 minutes, then will return to the prior operation. "QUICK CLEAN" mode is effective when you would like to clean quickly.

CLEAN SIGN

The Dust Sensor automatically monitors dust pollution level and adjusts fan speed accordingly.



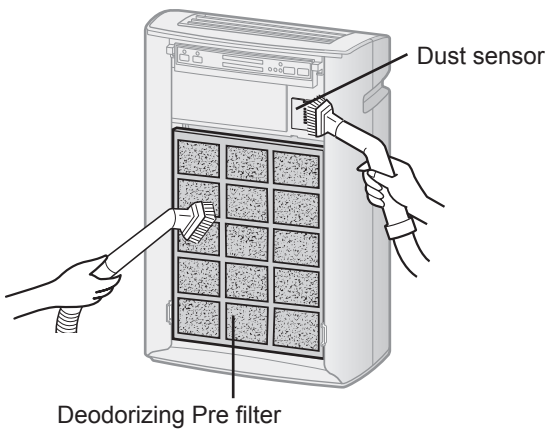
Light Control

Press **ON/OFF** for 3 seconds to select ON/OFF of the Plasmacluster SIGN and the CLEAN SIGN.

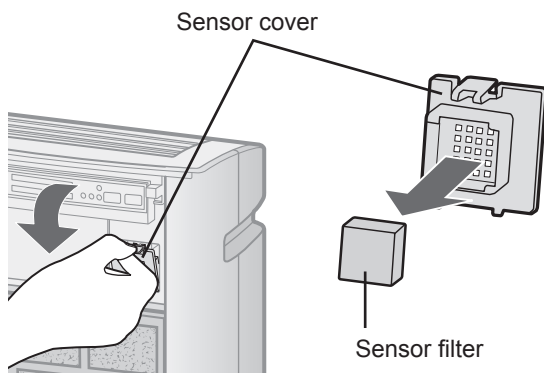


CLEANING THE FILTERS

- 1 Turn off the unit, and unplug the power cord.**
- 2 Remove the Front Panel.**
(Refer to E-6)
- 3 Clean the filter and Dust sensor.**
Gently remove dust from the filter, using a vacuum cleaner with attachment or similar tool.



Dust Sensor



Remove the Sensor cover, and remove the dust on the Sensor filter.

If it is very dirty, wash it with water and dry it thoroughly.

CLEANING THE UNIT

Wipe with a dry, soft cloth.

For stubborn stains or dirt, use a soft cloth dampened with warm water.

Do not use volatile fluids and detergents.

Benzene, paint thinner, polishing powder, detergent ingredients etc., may damage the unit.

FILTER REPLACEMENT GUIDELINES

Filter life varies depending on the room environment, usage, and location of the unit.

If dust or odour persists, replace the filter.

(Refer to “Please read before operating your new Air Purifier”)

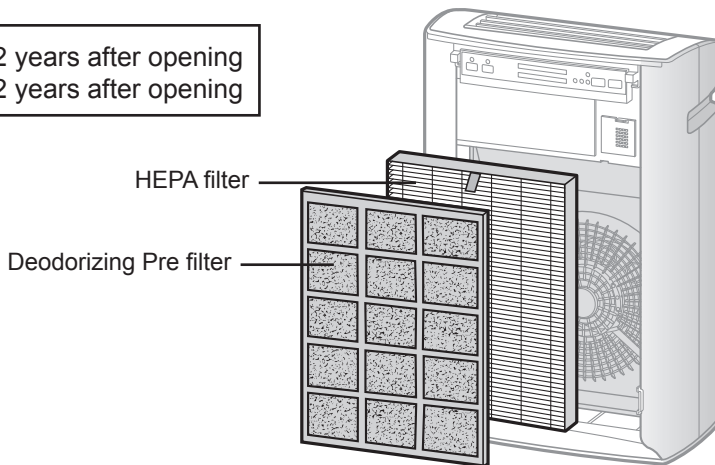
Replacement timing

| | |
|-------------------------|-----------------------------|
| •HEPA filter | About 2 years after opening |
| •Deodorizing Pre filter | About 2 years after opening |

Replacement Filters

Model : FZ-A80SFE

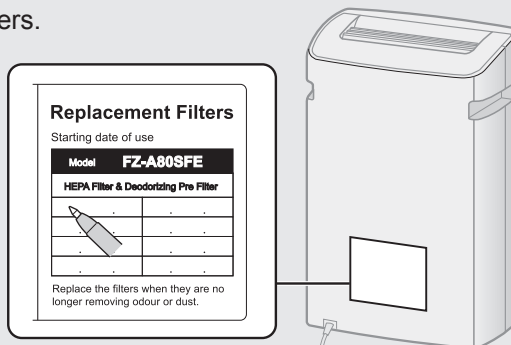
- HEPA filter : 1 unit
- Deodorizing Pre filter : 1 unit



Replace the filters

(Refer to E-6)

Record the date when you replace the filters.



Disposal of Filters

Please dispose of the filters according to the local disposal laws and regulations.

HEPA filter material:


- Filter : Polypropylene
- Frame : Polyester

Deodorizing Pre filter material:

- Deodorizer : Activated charcoal
- Filter : Polyurethane foam
- Frame : Paper

TROUBLESHOOTING

Before calling for service, please review the Troubleshooting chart below, since the problem may not be a unit malfunction.

| PROBLEM | SOLUTION (not a malfunction) |
|----------------------------------------------------------------------------------|--------------------------------------------------------------------------------------------------------------------------------------------------------------------------------------------------------------------------------------------------------------------------------------------------------------------------------------|
| <p>The unit leaves smoke and odours in the air.</p> | <ul style="list-style-type: none"> • Clean or replace the filters as needed. (Refer to E-9) • Is the unit installed in a location that is difficult for the sensor to detect cigarette smoke? • Are the dust sensor openings blocked or clogged? (In this case, clean the openings.) (Refer to E-8) |
| <p>A clicking or ticking sound is heard from the unit.</p> | <ul style="list-style-type: none"> • Clicking or ticking sounds may be audible when the unit is generating ions. |
| <p>A bad odour comes out of the air outlet.</p> | <ul style="list-style-type: none"> • Check to see if the filters are heavily soiled. Replace the filters. (Refer to E-9) • Plasmacluster Air Purifiers may produce a slight odour. This is normal and is a result of the Plasmacluster Ions refreshing the air. |
| <p>The Clean Sign is green, but there is still odour in the air.</p> | <ul style="list-style-type: none"> • The air could be impure at the time the unit was plugged in. Unplug the unit, wait one minute, and plug the unit in again. |
| <p>The Clean Sign illuminates yellow or red, but the air seems clean.</p> | <ul style="list-style-type: none"> • Clean the dust sensor with a vacuum cleaner, as it may be blocked or clogged. (Refer to E-8) |
| <p>The Clean Sign doesn't light on.</p> | <ul style="list-style-type: none"> • The Light Control is selected. Press  for 3 seconds to turn the light on. |
| <p>The Clean Sign lights change color frequently.</p> | <ul style="list-style-type: none"> • The Clean Sign lights automatically change colors as impurities are detected by the dust sensor. |

SHARP WARRANTY

Consumer Electronic Products

Congratulations on Your Purchase!

This Sharp product is warranted against faults in material and manufacture for the period as stated in the table below.

If service is required during the warranty period, please contact your nearest Sharp Approved Service Centre. These repairs would be carried out at no charge to the owner, subject to the conditions specified herein.

This warranty does not extend to defects or injuries caused by or resulting from causes not attributable to faulty parts or the manufacture of the product, including but not limited to, defect or injury caused by or resulting from misuse, abuse, neglect, lack of maintenance, accidental damage, improper voltage, liquid spillage, vermin infestation, software, or any alterations made to the product which are not authorised by Sharp.

Please retain your sales documentation, as this should be produced to validate a warranty claim. This warranty is in addition to and in no way limits, varies or excludes any implied rights and remedies under any relevant legislation in the country of sale.

This warranty does not cover transportation to and from the Sharp Approved Service Centre. Goods presented for repair may be replaced by refurbished goods of the same type rather than being repaired. Refurbished parts may be used to repair the goods. The repair of your goods may result in the loss of user generated data, please ensure that you have saved this data elsewhere prior to repair.

Australian customers: Our goods come with guarantees that cannot be excluded under the Australian Consumer Law. You are entitled to a replacement or refund for a major failure and for compensation for any other reasonably foreseeable loss or damage. You are also entitled to have the goods repaired or replaced if the goods fail to be of acceptable quality and the failure does not amount to a major failure. The criteria of a major failure is defined in the Australian Consumer Law. Should you require any assistance with a major failure please contact Sharp Customer Care.

WARRANTY PERIODS

| | | |
|--------------------------|-----------|-----------------------------------|
| Home Theatre Projector | 12 months | (excluding lamps and air filters) |
| Audio/Home Theatre | 12 months | |
| Microwave Oven | 12 months | |
| Steam Oven | 12 months | |
| Refrigerator | 24 months | |
| DVD/Blu-ray | 12 months | |
| Air Conditioner | 60 months | |
| Portable Air Conditioner | 12 months | |
| LCD Television | 36 months | |
| Air Purifier | 12 months | |

SHARP
SHARP CORPORATION OF AUSTRALIA PTY. LIMITED
ABN 40 083 839 405
1 Huntingwood Drive
Huntingwood NSW 2148
SHARP CORPORATION OF NEW ZEALAND LIMITED
59 Hugo Johnson Drive
Penrose, Auckland

SPform 040 (AUGUST 2011)

IMPORTANT NOTICE: This warranty applies only to products sold in Australia & New Zealand

FOR CUSTOMER ASSISTANCE

SHARP

FOR LOCATION ENQUIRIES WITHIN

AUSTRALIA

REGARDING YOUR LOCAL

SHARP APPROVED SERVICE CENTRE

VISIT OUR WEBSITE AT

www.sharp.net.au

OR CALL SHARP CUSTOMER CARE

1300 135 022

(LOCAL CALL COSTS APPLY WITHIN AUSTRALIA)

SHARP CORPORATION OF AUSTRALIA PTY LTD

SHARP

FOR LOCATION ENQUIRIES WITHIN

NEW ZEALAND

REGARDING YOUR LOCAL

SHARP APPROVED SERVICE CENTRE

VISIT OUR WEBSITE AT

www.sharp.net.nz

CONTACT YOUR SELLING DEALER/RETAILER

OR CALL

SHARP CUSTOMER SERVICES

TELEPHONE: 09 573 0111

FACSIMILE: 09 573 0113

SHARP CORPORATION OF NEW ZEALAND LIMITED

SPECIFICATIONS

| | | | | |
|--------------------------|----------------------------------|--------------------------------------|-----|-----|
| Model | | FU-A80J | | |
| Power supply | | 230-240V 50 Hz | | |
| Fan Speed Operation | Fan Speed Adjustment | MAX | MED | LOW |
| | Rated Power (W) | 75 | 20 | 5 |
| | Fan Speed (m ³ /hour) | 480 | 300 | 120 |
| | Noise Level (dBA) | 53 | 41 | 23 |
| Recommended Room Size *1 | | 62m ² | | |
| Sensor | | Dust | | |
| Filter type | | HEPA filter / Deodorizing Pre filter | | |
| Cord Length | | 2.0m | | |
| Dimensions | | 402mm (W) × 245mm (D) × 620mm (H) | | |
| Weight | | 8.0 kg | | |

*1 Size of a room which is appropriate for operating the unit at maximum fan speed.

Standby Power

In order to operate the electrical circuits while the power plug is inserted in the wall outlet, this product consumes about 0.75W of standby power.

For energy saving, unplug the power cord when the unit is not in use.

As part of Sharp's ongoing customer support we are pleased to offer Australian residents a courtesy reminder of when to replace the HEPA and Deodorizing filters in your unit.

To register, simply enter your 'Product Registration' details online at www.sharp.net.au.

SHARP®

SHARP CORPORATION OF AUSTRALIA PTY.LTD.

A. B. N. 40 003 039 405

1 HUNTINGWOOD DRIVE, HUNTINGWOOD, N.S.W. 2148

P.O.BOX 6827, BLACKTOWN. N.S.W. 2148

SHARP CORPORATION OF NEW ZEALAND LIMITED

59 HUGO JOHNSTON DRIVE PENROSE, AUCKLAND